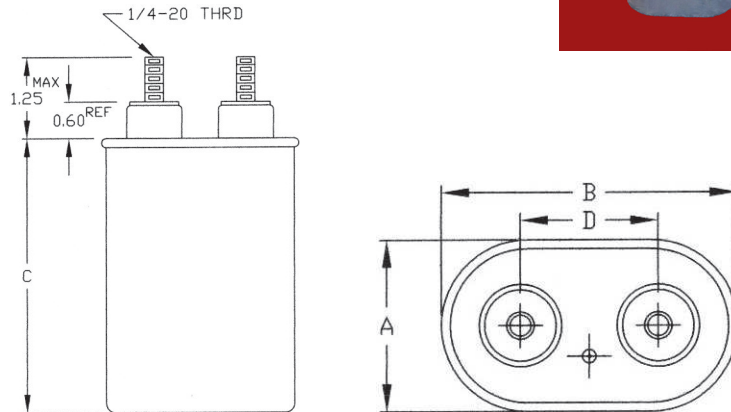


S - Series Capacitors

Low Loss Technology for High Power Applications

NWL's S-Series Capacitors are wound with polypropylene film and extended foil, and are packaged in oil-filled drawn aluminum cans with copper terminals to optimize heat transfer. Main applications are high current snubbers, commutation, and high frequency resonant tank capacitors.

Maximum Temperature Case: 85°C
Peak current rating: 5000 amp
rms current rating @ 25kHz



Cap. #	uF+/-10%	VDC continuous	Vpk pulse	VAC _{rms} @55 °C	I _{rms} @55 °C	VA	Dimension (mm)			
							A	B	C	D
S00621	0.10	1800	2000	800	60	5000	33.3	55.6	54.0	20.6
S00622	0.25	1800	2000	800	60	5000	33.3	55.6	54.0	20.6
S00623	0.50	1800	2000	800	60	6500	33.3	55.6	73.0	20.6
S00624	1.00	1800	2000	800	60	10000	33.3	55.6	114.3	20.6
S00625	2.00	1800	2000	800	60	12000	48.5	73.9	108.0	20.6
S00573	0.05	3200	4000	1250	80	30000	50.0	93.0	108.0	34.9
S00599	0.13	3200	4000	1250	80	30000	50.0	93.0	108.0	34.9
S00574	0.25	3200	4000	1250	80	30000	50.0	93.0	108.0	34.9
S00363	0.50	3200	4000	1250	80	35000	50.0	93.0	136.7	34.9
S00365	1.00	3200	4000	1250	80	40000	50.0	93.0	174.8	34.9
S00575	2.00	3200	4000	1250	80	40000	50.0	93.0	174.8	34.9